

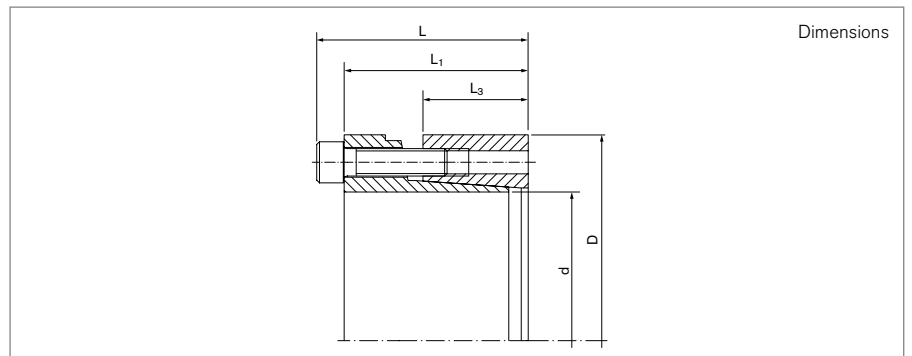
Locking Assemblies

RINGFEDER® RfN 7004

Extended version of the RfN 7003



self-centering	without axial displacement	with low surface pressure
----------------	----------------------------	---------------------------



Locking Assembly dimensions							Transmissible torques or axial forces		Surface pressure		Locking screws		
d	d	x	D	L	L ₁	L ₃	T	F _{ax}	Shaft Pw	Hub PN	n _{Sc}	D _G	T _A
inch	inch			inch			ft-lbs	lbs	psi				ft-lbs
0.750	3/4	x	1.850	1.772	1.535	1.024	388	12478	43195	17460	6	6	13
0.875	7/8	x	1.850	1.772	1.535	1.024	450	12478	37305	17462	6	6	13
1.000	1	x	1.969	1.772	1.535	1.024	511	12478	32825	16414	6	6	13
1.125	1 1/8	x	2.165	1.772	1.535	1.024	573	12478	29312	14922	6	6	13
1.188	1 3/16	x	2.165	1.772	1.535	1.024	614	12478	27358	14922	6	6	13
1.250	1 1/4	x	2.362	1.772	1.535	1.024	873	16638	34197	18238	8	6	13
1.375	1 3/8	x	2.362	1.772	1.535	1.024	955	16638	31266	18238	8	6	13
1.438	1 7/16	x	2.559	1.772	1.535	1.024	1037	16638	28798	16835	8	6	13
1.500	1 1/2	x	2.559	1.772	1.535	1.024	1091	16638	27358	16835	8	6	13
1.625	1 5/8	x	2.953	2.165	1.850	1.181	1563	22691	30795	17245	6	8	30
1.750	1 3/4	x	2.953	2.165	1.850	1.181	1675	22691	28742	17245	6	8	30
1.875	1 7/8	x	2.953	2.165	1.850	1.181	2382	30255	35928	21557	6	8	30
1.938	1 15/16	x	3.150	2.165	1.850	1.181	2481	30255	34491	21557	8	8	30
2.000	2	x	3.150	2.165	1.850	1.181	2521	30255	33948	21554	8	8	30
2.125	2 1/8	x	3.346	2.165	1.850	1.181	2678	30255	31951	20291	8	8	30
2.188	2 3/16	x	3.346	2.165	1.850	1.181	2729	30255	31355	20288	8	8	30
2.250	2 1/4	x	3.543	2.165	1.850	1.181	2836	30255	30176	19161	8	8	30
2.375	2 3/8	x	3.543	2.165	1.850	1.181	2977	30255	38742	19161	8	8	30
2.438	2 7/16	x	3.740	2.165	1.850	1.181	3073	30255	27849	18153	8	8	30
2.500	2 1/2	x	3.740	2.165	1.850	1.181	3151	30255	27158	18153	8	8	30
2.563	2 9/16	x	3.740	2.165	1.850	1.181	3226	30255	26531	18153	8	8	30
2.688	2 11/16	x	4.331	2.638	2.244	1.575	5480	48928	30636	19015	8	10	61
2.750	2 3/4	x	4.331	2.638	2.244	1.575	5618	48928	29882	19015	8	10	61
2.875	2 7/8	x	4.528	2.835	2.441	1.575	5861	48928	28644	18189	8	10	61
2.938	2 15/16	x	4.528	2.835	2.441	1.575	6019	48928	27889	18189	8	10	61
3.000	3	x	4.724	2.835	2.441	1.575	7645	61161	34313	21790	8	10	61

To continue see next page

Locking Assemblies RINGFEDER® RfN 7004

Locking Assembly dimensions							Transmissible torques or axial forces		Surface pressure		Locking screws		
d	d	x	D	L	L ₁	L ₃	T	F _{ax}	Shaft p _w	Hub p _n	n _{sc}	D _G	T _A
inch	inch			inch			ft-lbs	lbs	psi				ft-lbs
3.250	3 1/4	x	4.921	2.835	2.441	1.575	8282	61161	31673	20917	10	10	61
3.375	3 3/8	x	4.921	2.835	2.441	1.575	8528	61161	30760	20917	10	10	61
3.438	3 7/16	x	4.921	2.835	2.441	1.575	8761	61161	29941	20917	10	10	61
3.500	3 1/2	x	5.118	2.835	2.441	1.575	9029	61161	29052	20112	10	10	61
3.750	3 3/4	x	5.315	2.835	2.441	1.575	9531	61161	27522	19368	10	10	61
3.938	3 15/16	x	5.709	3.504	3.031	1.811	12000	73172	27201	18759	8	12	107
4.000	4	x	5.709	3.504	3.031	1.811	12195	73172	26773	18759	8	12	107
4.438	4 7/16	x	6.102	3.504	3.031	1.811	13203	73172	24728	17549	8	12	107
4.750	4 3/4	x	6.496	3.504	3.031	1.811	18005	91465	28334	20607	10	12	107
4.938	4 15/16	x	7.087	3.504	3.031	1.811	22583	109758	32531	22667	12	12	107
5.000	5	x	7.087	3.504	3.031	1.811	23406	109758	31386	22667	12	12	107
5.438	5 7/16	x	7.480	3.858	3.307	2.008	26184	114015	27306	20120	10	14	154
5.938	5 15/16	x	7.874	3.858	3.307	2.008	33666	136818	30583	22937	12	14	154
6.438	6 7/16	x	8.858	3.858	3.307	2.008	44514	159621	31483	23787	14	14	154
6.938	6 15/16	x	9.252	3.858	3.307	2.008	47132	159621	29734	22775	14	14	154

More sizes on request

Explanation

d = Inner diameter (decimal notation)	L₃ = Width of ring	n_{sc} = Quantity of screws
d = Inner diameter	T = Transmissible torque at given T _A	D_G = Thread
D = Outer diameter	F_{ax} = Transmissible axial force	T_A = Tightening torque of the clamping screws
L = Overall length	p_w = Surface pressure on shaft at given T _A	
L₁ = Overall length (without screws)	p_n = Surface pressure on hub at given T _A	

Ordering example

Locking assembly	d	D
RfN 7004	2.188	3.346

Technical Information

- Surface finishes: Shaft and hub bores R_a ≤ 1,6 μm
- Tolerances: Shaft: h8 · Hub: H8

Further information on
RINGFEDER® RfN 7004
 on www.ringfeder.com

Disclaimer of liability

All technical details and notes are non-binding and cannot be used as a basis for legal claims. The user is obligated to determine whether the represented products meet his requirements. We reserve the right carry out modifications at any time in the interests of technical progress.